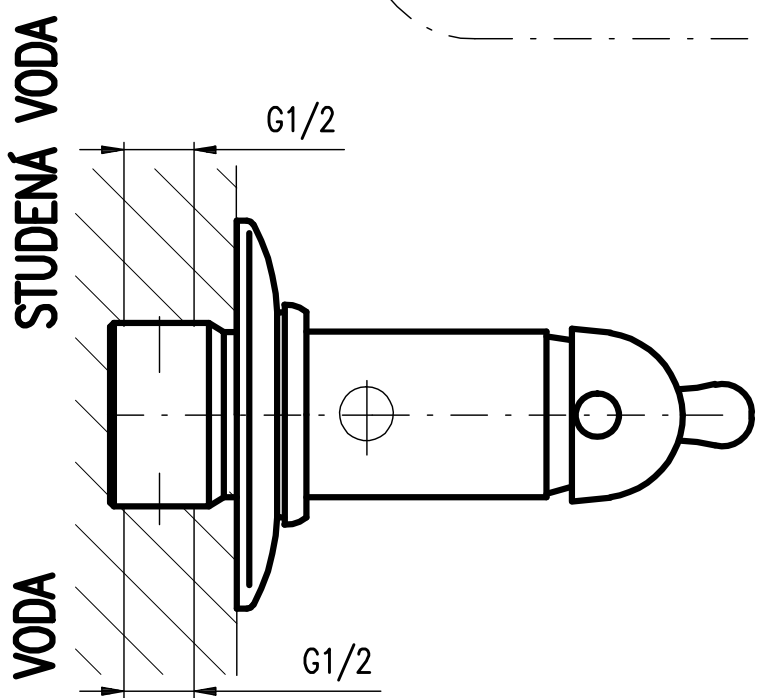


TEPLÁ VODA



G1/2

G1/2